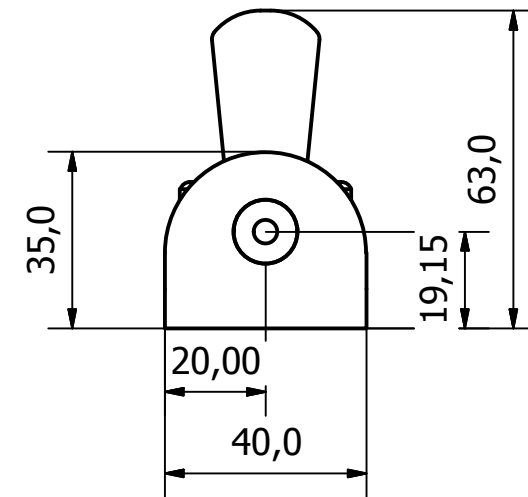
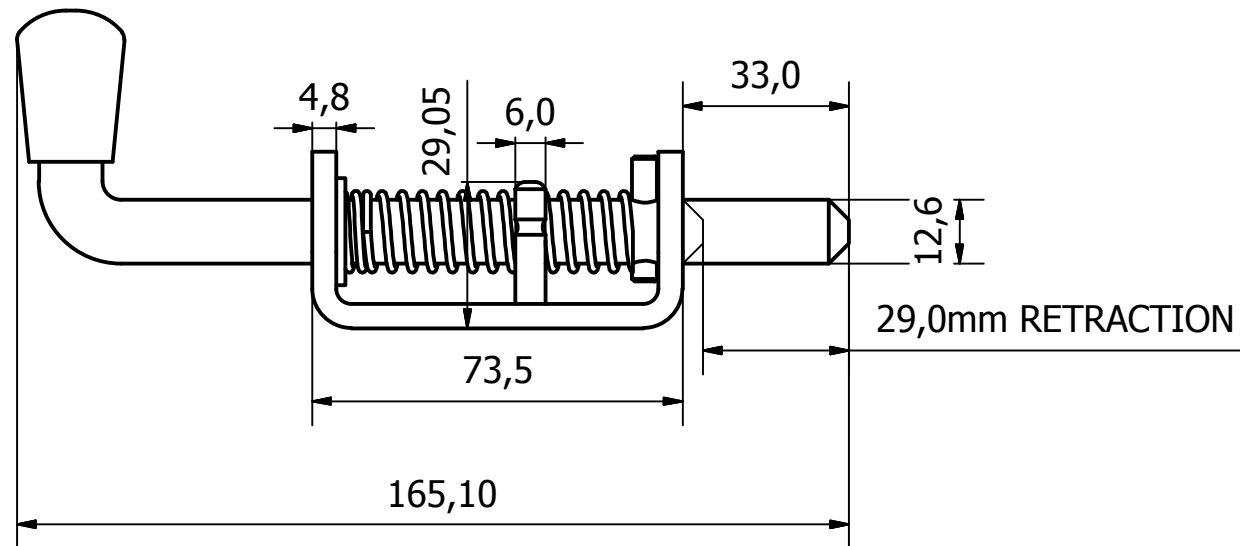
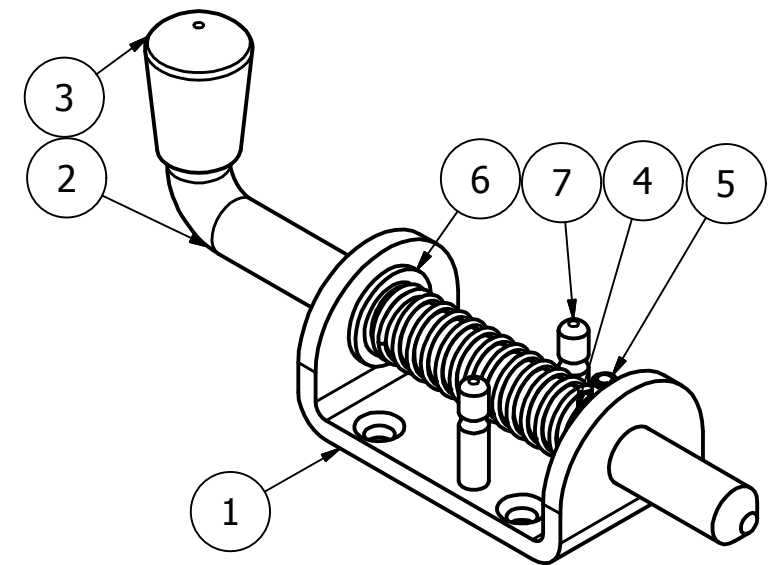


PARTS LIST			
ITEM	QTY	PART NUMBER	DESCRIPTION
1	1	0837-001-1	M/STEEL SPRING BOLT BASE PLATE
2	1	0837-001-2	M/STEEL 90 DEG BOLT - 160.7 O/A
3	1	0837-001-3	RED PLASTIC CAP
4	1	0837-001-6	M/STEEL SPRING
5	1	0837-001-4	M/STEEL BOLT PIN - 40 O/A
6	1	0837-001-5	M/STEEL WASHER - 21.25 O/D
7	2	0837-001-7	M/STEEL PILLAR INSERTS - 29.05 O/A



1	VALIDATION COMPLETE	07/12/16	A.P
REV	DESCRIPTION	DATE	APPROVED
DRAWN BY U.F		CHECKED BY A.P	SCALE 1:1.5
MATERIAL -		MASS 0.382 kg	FINISH Z/C PASSIVATE
Date 05/12/2016		ALL DIMS IN MM UNLESS STATED DO NOT SCALE	
12MM SPRING BOLT			A3
0837-001		Edition 1	Sheet 1 / 1

GENERAL TOLERANCES ON LENGTHS	
0.5 - 6 ± 0.1mm	
6 - 30 ± 0.2mm	
30 - 120 ± 0.3mm	
120 - 400 ± 0.5mm	
400 - 1000 ± 0.8mm	
1000 - 1200 ± 1.2mm	
2000 - 4000 ± 2.0mm	